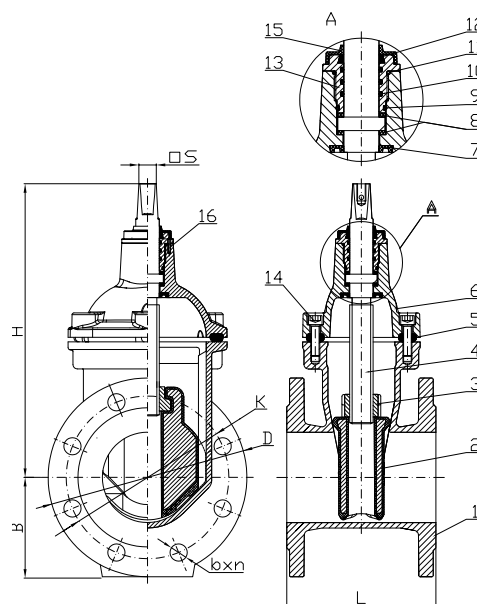


RESILIENT SEATED GATE VALVE ECOVALVE™ FLANGED END F4



DN 40 - DN 300

No	Part Name	Material
1	Body	Ductile Iron EN-GJS-500-7
2	Wedge	D.I., EPDM encapsulated EN-GJS-400-18/ EN-GJS-500-7
3	Wedge Nut	Aluminum Bronze CuAl10Ni5Fe4 / H.T. dezincification resistant Brass
4	Stem	Stainless Steel X20Cr13 / 1.4021 / 420
5	Bonnet Gasket	Elastomer EPDM
6	Bonnet	Ductile Iron EN-GJS-500-7
7	Main seal	Elastomer EPDM
8	Bottom Washer	Plastic PTFE
9	O-ring Seal	Elastomer EPDM
10	O-ring Seal	Elastomer EPDM
11	O-ring Seal	Elastomer EPDM
12	Dust Seal	Elastomer NBR
13	Gland Bush	Brass
14	Bonnet Screws	Stainless Steel A2-70
15	Bonnet Dust Seal	Elastomer NBR
16	Security screw	Stainless Steel A2-70



Dimension:

DN	40	50	65	80	100	125	150	200	250	300	
F4	PN10	AD0351	AD0352	AD0353	AD0354	AD0355	AD0356	AD0357	AD0361	AD0362	AD0363
	PN16								AD0358	AD0359	AD0360
L	140	150	170	180	190	200	210	230	250	270	
H	205	218	255	277	325	355	395	482	572	662	
B	70	75	85	95	102	120	134	165	196	225	
K PN16 / PN10	110	125	145	160	180	210	240	295	355 / 350	410 / 400	
bxn PN16 / PN10	19×4	19×4	19×4	19×8	19×8	19×8	23×8	23×12 / 23×8	27×12 / 23×12	27×12 / 23×12	
D	150	165	185	200	220	250	285	340	405	460	
Stem Top Square □S	14	14	17	17	19	19	19	24	27	27	
Weight [kg]	8,5	9,5	11,5	13,0	17,5	24,0	31,5	54,0	76,5	109,5	