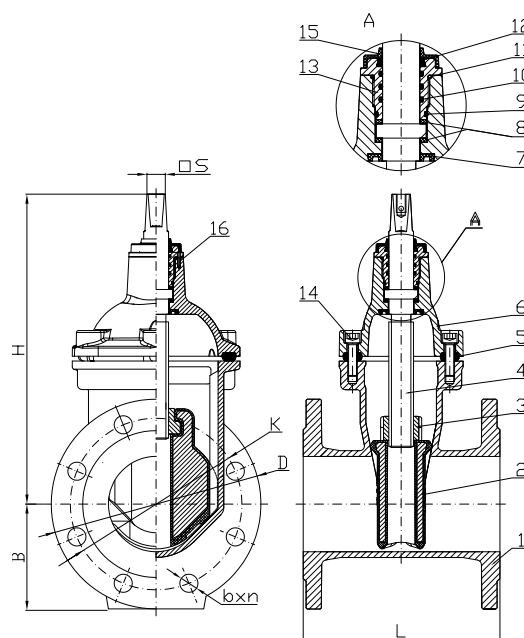


# RESILIENT SEATED GATE VALVE ECOVALVE™ FLANGED END F5

DN 40 - DN 300



| No | Part Name        | Material   |
|----|------------------|--|
| 1  | Body             | Ductile Iron EN-GJS-500-7  |
| 2  | Wedge            | D.I., EPDM encapsulated<br>EN-GJS-400-18/ EN-GJS-500-7                 |
| 3  | Wedge Nut        | Aluminum Bronze CuAl10Ni5Fe4 /<br>H.T. dezincification resistant Brass |
| 4  | Stem             | Stainless Steel<br>X20Cr13 / 1.4021 / 420                              |
| 5  | Bonnet Gasket    | Elastomer EPDM   |
| 6  | Bonnet           | Ductile Iron EN-GJS-500-7  |
| 7  | Main seal        | Elastomer EPDM   |
| 8  | Bottom Washer    | Plastic PTFE   |
| 9  | O-ring Seal      | Elastomer EPDM   |
| 10 | O-ring Seal      | Elastomer EPDM   |
| 11 | O-ring Seal      | Elastomer EPDM   |
| 12 | Dust Seal        | Elastomer NBR  |
| 13 | Gland Bush       | Brass  |
| 14 | Bonnet Screws    | Stainless Steel A2-70  |
| 15 | Bonnet Dust Seal | Elastomer NBR  |
| 16 | Security screw   | Stainless Steel A2-70  |



## Dimension:

| DN                    | 40   | 50     | 65     | 80     | 100    | 125    | 150    | 200             | 250              | 300              |        |
|-----------------------|------|--------|--------|--------|--------|--------|--------|-----------------|------------------|------------------|--------|
| F5                    | PN10 | AD0364 | AD0365 | AD0366 | AD0367 | AD0368 | AD0369 | AD0370          | AD0374           | AD0375           | AD0376 |
|                       | PN16 |        |        |        |        |        |        |                 | AD0371           | AD0372           | AD0373 |
| L                     | 240  | 250    | 270    | 280    | 300    | 325    | 350    | 400             | 450              | 500              |        |
| H                     | 205  | 218    | 255    | 277    | 325    | 355    | 395    | 482             | 572              | 662              |        |
| B                     | 70   | 75     | 85     | 95     | 102    | 120    | 134    | 165             | 196              | 225              |        |
| K PN16 / PN10         | 110  | 125    | 145    | 160    | 180    | 210    | 240    | 295             | 355 / 350        | 410 / 400        |        |
| b × n PN16 / PN10     | 19×4 | 19×4   | 19×4   | 19×8   | 19×8   | 19×8   | 23×8   | 23×12 /<br>23×8 | 27×12 /<br>23×12 | 27×12 /<br>23×12 |        |
| D                     | 150  | 165    | 185    | 200    | 220    | 250    | 285    | 340             | 405              | 460              |        |
| Stem Top Square<br>□S | 14   | 14     | 17     | 17     | 19     | 19     | 19     | 24              | 27               | 27               |        |
| Weight [kg]           | 10,6 | 11,8   | 12,2   | 14,4   | 20,2   | 32,7   | 34,8   | 64              | 87               | 146,4            |        |