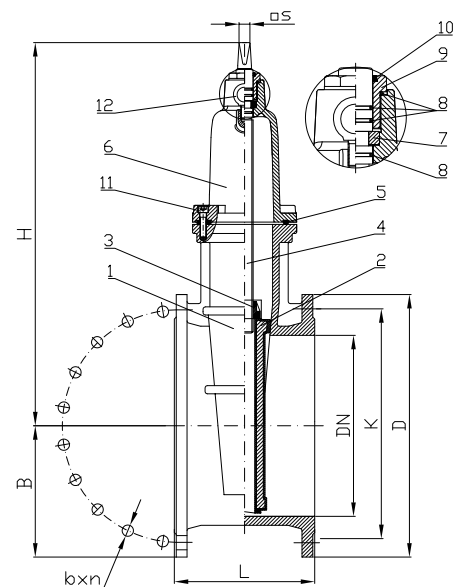


RESILIENT SEATED GATE VALVE ECOVALVE™ FLANGED END F4

DN 350 - DN 600



No	Part Name	Material
1	Body	Ductile Iron EN-GJS-500-7
2	Wedge	D.I., EPDM encapsulated EN-GJS-400-18/ EN-GJS-500-7
3	Wedge Nut	Aluminum Bronze CuAl10Ni5Fe4 / H.T. dezincification resistant Brass
4	Stem	Stainless Steel X20Cr13 / 1.4021 / 420
5	Bonnet Gasket	Elastomer EPDM
6	Bonnet	Ductile Iron EN-GJS-500-7
7	Support Bush	Leaded Brass
8	O-ring Seal	Elastomer EPDM
9	Gland Bush	Brass
10	Dust Seal	Elastomer EPDM
11	Bonnet Screws	Stainless Steel A2-70
12	Eye-Bolts	Steel Zinc plated



Dimension:

DN		350	400	450	500	600
F4	PN10	AD0312	AD0313	AD0314	AD0315	AD0316
	PN16	AD0317	AD0318	AD0319	AD0320	AD0321
L		290	310	330	350	390
H		760	840	965	1005	1150
B		260	290	320	357,5	420
K PN10 / PN16		460 / 470	515 / 525	515 / 525	620 / 650	725 / 770
b x n PN10 / PN16		23x16 / 28x6	28x16 / 31x16	28x16 / 31x16	28x20 / 34x20	31x20 / 37x20
D		520	580	580	715	840
Stem Top Square □ S		27	27	27	32	32
Weight [kg]		158	195,5	269	323	523