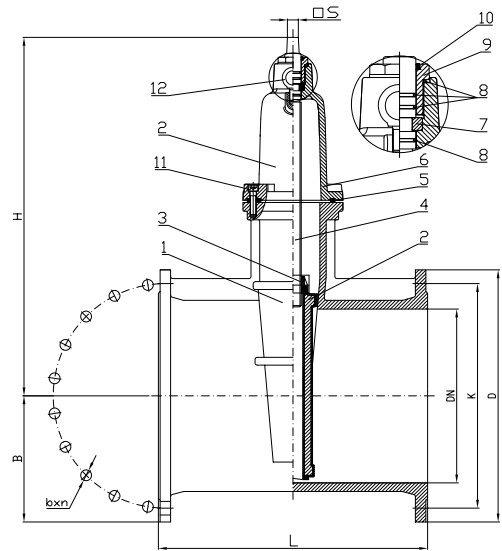


RESILIENT SEATED GATE VALVE ECOVALVE™ FLANGED END F5

DN 400 - DN 600



No	Part Name	Material
1	Body	Ductile Iron EN-GJS-500-7
2	Wedge	D.I., EPDM encapsulated EN-GJS-400-18/ EN-GJS-500-7
3	Wedge Nut	Aluminum Bronze CuAl10Ni5Fe4 / H.T. dezincification resistant Brass
4	Stem	Stainless Steel X20Cr13 / 1.4021 / 420
5	Bonnet Gasket	Elastomer EPDM
6	Bonnet	Ductile Iron EN-GJS-500-7
7	Support Bush	Leaded Brass
8	O-ring Seal	Elastomer EPDM
9	Gland Bush	Brass
10	Dust Seal	Elastomer EPDM
11	Bonnet Screws	Stainless Steel A2-70
12	Eye-Bolts	Steel Zinc plated



Dimension:

DN		400	500	600
F5	PN10	AD0979	AD0980	AD0981
	PN16	AD0982	AD0983	AD0984
L		600	700	800
H		840	1005	1150
B		290	357,5	420
K PN10 / PN16		515 / 525	620 / 650	725 / 770
b x n PN10 / PN16		28×16 / 31×16	28×20 / 34×20	31×20 / 37×20
D		580	715	840
Stem Top Square □ S		27	32	32
Weight [kg]		250,6	402	642