

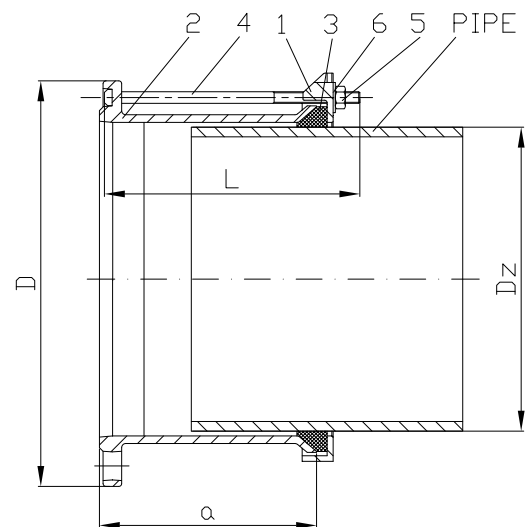
# UNIVERSAL FLANGE ADAPTOR

## DN 50 - DN 600



No	Part Name	Material
1	Gland	Ductile Iron EN-GJS-500-7
2	Body	Ductile Iron EN-GJS-500-7
3	Gasket	Elastomer EPDM
4	Bolt*	A2-70 stainless steel bolts, nuts, washers available on request
5	Nut*	A2-70 stainless steel bolts, nuts, washers available on request
6	Washer*	A2-70 stainless steel bolts, nuts, washers available on request

\* A2-70 stainless steel bolts, nuts, washers available on request



### Dimension:

DN	Code	PN	Dz [mm]	L [mm]	a [mm]	D	Weight [kg]
50	AH7462	PN10/PN16	59-72	124	75	165	4,2
65	AH7463	PN10/PN16	72-85	124	75	185	5,4
80	AH7464	PN10/PN16	88-103	124	75	200	6
100	AH7467	PN10/PN16	109-128	134	75	220	7
125	AH7470	PN10/PN16	138-153	134	75	250	8,8
150	AH7472	PN10/PN16	159-182	134	75	285	11
200	AH7474	PN10/PN16	218-235	134	75	340	14,6
250	AH7479	PN10/PN16	272-289	144	85	400	21
300	AH7480	PN10/PN16	315-332	146	100	455	22
350	AH7484	PN10/PN16	374-391	155	115	520	43,3
400	AH7488	PN10 i PN16	417-437	155	115	580	49,5
450	AH7490	PN10 i PN16	480-500	190	115	640	62
500	AH7492	PN10 i PN16	526-546	191	130	715	68,5
600	AH7495	PN10 i PN16	630-650	195	135	840	85