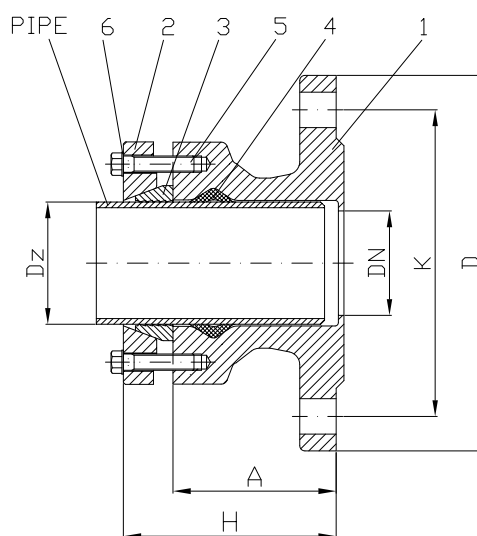


FLANGE ADAPTOR FOR PVC/PE PIPE

DN 50 - DN 300



No	Part Name	Material
1	Body	Ductile Iron EN-GJS-500-7
2	Gland	Ductile Iron EN-GJS-500-7
3	Ring	Brass
4	Gasket	Elastomer EPDM
5	Bolt	Stainless Steel A2-70
6	Washer	Stainless Steel A2-70



Dimension:

DN	Code		Dz [mm]	D [mm]	K [mm]	A [mm]	H [mm] ±3 mm	Weight [kg]
	PN10	PN16						
50	AH0441		63	165	125	75	95	3,8
65	AH0442		75	175	145	80	100	5,0
80	AH0443		90	200	160	85	105	5,2
100	AH0444		110	220	180	90	110	6,0
100	AH0445		125	220	180	100	120	7,5
125	AH0446		125	250	210	100	120	9,2
150	AH0447		160	285	240	115	139	11,5
150	AH0448		180	285	240	120	144	12,8
200	AH0449	AH0450	200	340	295	125	149	16,0
200	AH0451	AH0452	225	340	295	136	160	17,5
250	AH0473	AH0474	250	400	355	145	169	23,0
250	AH0453	AH0454	280	400	355	155	181	24,3
300	AH0455	AH0456	315	455	410	165	191	28,0