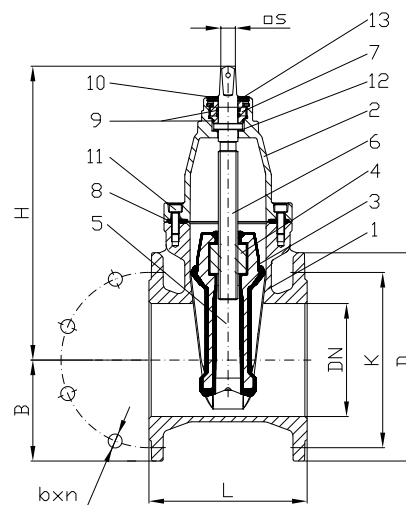


GAS VALVE OPTIVALVE™ FLANGED END F4

DN 40 - DN 300



| No | Part Name | Material |
|----|----------------|---|
| 1 | Body | Ductile Iron EN-GJS-500-7 |
| 2 | Bonnet | Ductile Iron EN-GJS-500-7 |
| 3 | Wedge | D.I., NBR encapsulated EN-GJS-400-18/ EN-GJS-500-7 |
| 4 | Wedge Nut | Brass |
| 5 | Guide Shoe | Plastic POM |
| 6 | Stem | Stainless Steel X20Cr13 / 1.4021 / 420 |
| 7 | Gland Blush | Brass |
| 8 | Bonnet Gasket | Elastomer NBR |
| 9 | O-ring Seal | Elastomer NBR |
| 10 | Dust Seal | Elastomer NBR |
| 11 | Bonnet Screws | Stainless Steel A2-70 |
| 12 | Bottom Washer | Plastic POM |
| 13 | Acetal Circlip | Steel Ring |

Dimension:

| DN | 40 | 50 | 65 | 80 | 100 | 125 | 150 | 200 | 250 | 300 |
|---|--------|--------|--------|--------|--------|--------|--------|-----------------|------------------|------------------|
| EPOXY POWDER COATING | | | | | | | | | | |
| PN16 | AG0408 | AG0510 | AG6521 | AG0828 | AG1028 | AG1264 | AG1521 | AG2038 | AG2538 | AG3038 |
| PN10 | | | | | | | | AG2028 | AG2528 | AG3028 |
| BLACK EPOXY POWDER COATING AND POLYURETHANE (PUR) TOPCOAT | | | | | | | | | | |
| PN16 | AG0434 | AG0534 | AG6534 | AG0834 | AG1034 | AG1234 | AG1534 | AG2074 | AG2574 | AG3074 |
| PN10 | | | | | | | | AG2075 | AG2575 | AG3075 |
| L | 140 | 150 | 170 | 180 | 190 | 200 | 210 | 230 | 250 | 270 |
| H | 209 | 250 | 246 | 265 | 299 | 402 | 390 | 490 | 562 | 642 |
| B | 70 | 75 | 85 | 95 | 102 | 120 | 134 | 165 | 196 | 225 |
| K PN16 / PN10 | 110 | 125 | 145 | 160 | 180 | 210 | 240 | 295 | 355 / 350 | 410 / 400 |
| b x n PN16 / PN10 | 19×4 | 19×4 | 19×4 | 19×8 | 19×8 | 19×8 | 23×8 | 23×12 / 23×8 | 27×12 / 23×12 | 27×12 / 23×12 |
| D | 150 | 165 | 185 | 200 | 220 | 250 | 285 | 340 | 405 | 460 |
| Stem Top Square □S | 14 | 14 | 17 | 17 | 19 | 19 | 19 | 24 | 27 | 27 |
| Turns to open/ close | 6 ¼ | 9 ¾ | 9 ¾ | 11 ½ | 14 ¼ | 20 ¼ | 20 ¼ | 18 | 26 ⅓ | 26 ⅓ |
| Closing Torque [Nm] | 40±10 | 50±10 | 60±10 | 70±10 | 80±10 | 100±20 | 100±20 | 130±20 | 180±20 | 200±20 |
| Weight [kg] | 11,3 | 13,8 | 15,3 | 17,6 | 20,3 | 35,8 | 39,6 | 60,8 | 84,2 | 131 |

Specifications:

- Available in all sizes with PN10 or PN16 flanges.
- Clockwise closing.