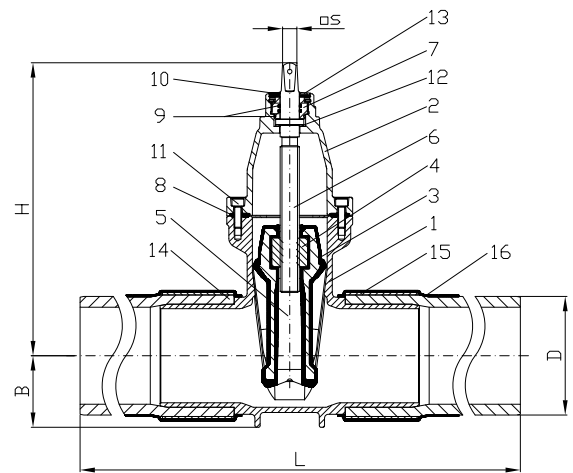


OPTIVALVE™ GAS VALVE WITH PE FITTINGS

DN 50 - DN 300



No	Part Name	Material
1	Body	Ductile Iron EN-GJS-500-7
2	Bonnet	Ductile Iron EN-GJS-500-7
3	Wedge	D.I., NBR encapsulated EN-GJS-400-18/ EN-GJS-500-7
4	Wedge Nut	Brass
5	Guide Shoe	Plastic POM
6	Stem	Stainless Steel X20Cr13 / 1.4021 / 420
7	Gland Bush	Brass
8	Bonnet Gasket	Elastomer NBR
9	O-ring Seal	Elastomer NBR
10	Dust Seal	Elastomer NBR
11	Bonnet Screws	Stainless Steel A2-70
12	Bottom Washer	Plastic POM
13	Acetal Circlip	Steel Ring
14	Pipe clamp	Steel
15	Heatshrink	Plastic
16	Pipe*	PE100 gas pipe, SDR 11



- Can be socketing to SDR 17 on demand

Dimension:

DN	50	80	100	100	150	150	200	200	250	250	300
D	63	90	110	125	160	180	200	225	250	280	315
EPOXY POWDER COATING											
PN10	AG0551	AG0851	AG1051	AG1052	AG1551	AG1552	AG2051	AG2052	AG2551	AG2552	AG3051
EPOXY POWDER COATING SYSTEM WITH A BLACK POLYURETHANE (PUR) TOPCOAT											
PN10	AG0566	AG0866	AG1066	AG1067	AG1566	AG1567	AG2066	AG2067	AG2566	AG2567	AG3066
L*	920	920	920	920	950	950	1180	1180	1180	1200	1300
H	257	270	305	305	396	396	503	503	576	576	672
B	38	52	62	69	97	97	119	119	147	147	164
Stem Top Square □S	14	17	19	19	19	19	24	24	27	27	27
Turns to open/close	9 ¾	11 ½	14 ¼	14 ¼	20 ¼	20 ¼	18	18	21 ¾	21 ¾	26 ⅓
Closing Torque [Nm]	50±10	60±10	70±10	80±10	100±20	100±20	130±20	130±20	180±20	180±20	200±20
Weight [kg]	13,3	16,4	20,1	20,7	39,5	42,5	66,7	70,3	96,9	101,2	159,9

* Other lengths available on request