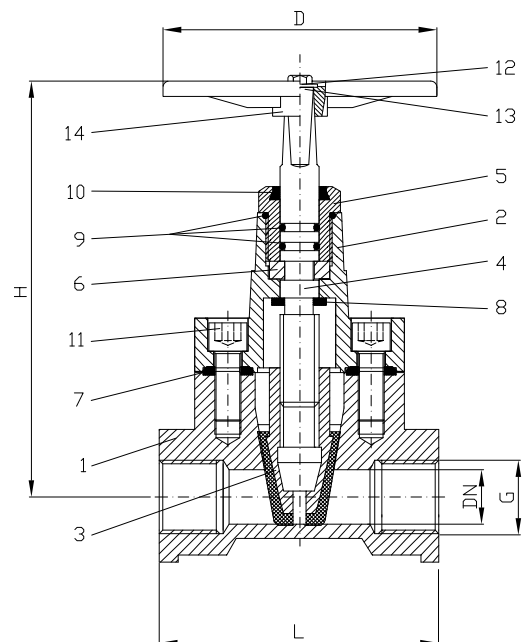


SERVICE VALVE THREADED BSP GW-GW

DN 20 - DN 50

No	Part Name	Material
1	Body	Ductile Iron EN-GJS-500-7
2	Body	Ductile Iron EN-GJS-500-7
3	Body	H.T. dezincification resistant Brass, EPDM encapsulated
4	Stem	Stainless Steel X20Cr13 / 1.4021 / 420
5	Gland Bush	H.T. dezincification resistant Brass
6	Support Bush	H.T. dezincification resistant Brass
7	Bonnet Gasket	Elastomer EPDM
8	Gasket	Elastomer EPDM
9	Gasket	Elastomer NBR
10	Dust Seal	Elastomer NBR
11	Bonnet Screws	Stal FeZn5 gr 12.9, Galvanized
12	Bonnet Screws	Stainless Steel A2-70
13	Washer	Stainless Steel A2-70
14	Hand-wheel	Ductile Iron EN-GJS-500-7



Dimension:

DN	20*	25*	32	40	50
PN16	AC0390	AC0392	AC0394	AC0396	AC0398
L	147	157	157	189	189
D	120	120	120	120	120
H	175	185	186	225	235
G	BSP 3/4"	BSP 1"	BSP 1 1/4"	BSP 1 1/2"	BSP 2"
T	26	26	26	26	26
Stem Top Square □ S	14	14	14	14	14
Weight [kg]	3,5	3,8	4,3	4,8	5,6

* on request