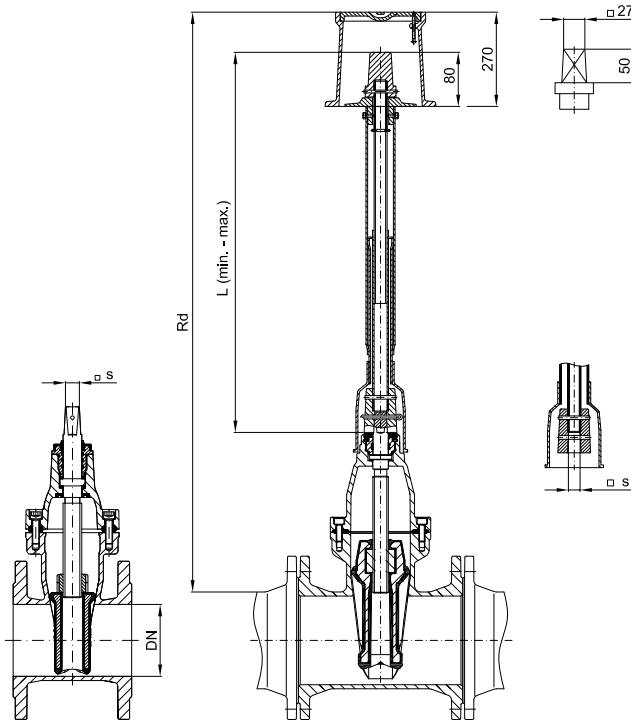


# TELESCOPIC EXTENSION SPINDLE FOR ECOVALVE™

## DN 40 - DN 600

Rd - distance from the pipeline base to the ground level  
L - actual length of the telescopic cover



### Dimension:

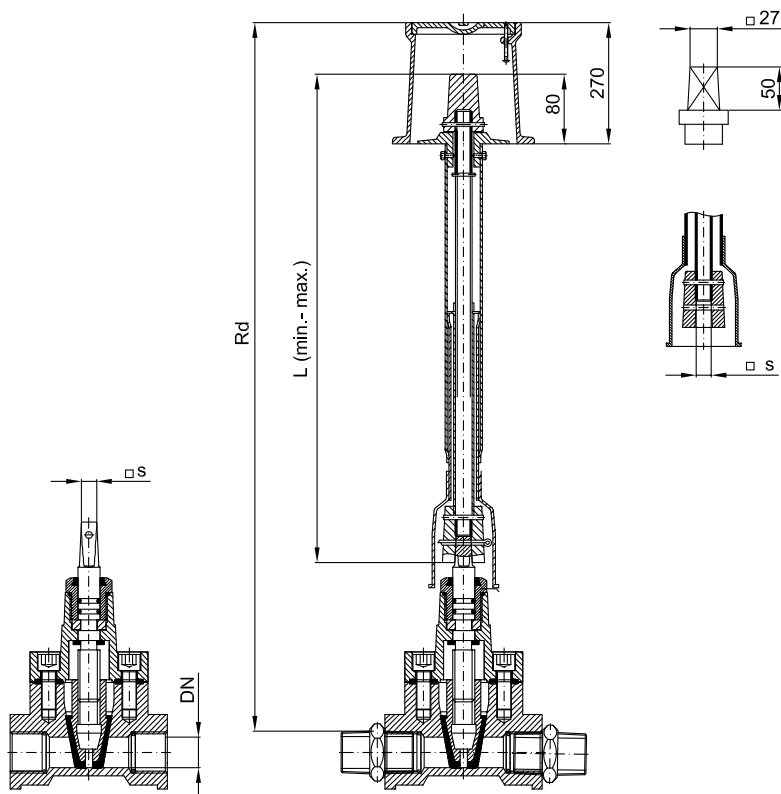
Nominal diameter DN	Stem Top Square □S [mm]	L [mm] 550/800		Code	L [mm] 800/1200		Code	L [mm] 1000/1650		Code	L [mm] 1400/2000		Code
		Rd [mm] min	Rd [mm] max		Rd [mm] min	Rd [mm] max		Rd [mm] min	Rd [mm] max		Rd [mm] min	Rd [mm] max	
40	14	896	1146	AA1056	1146	1546	AA1057	1346	1996	AA1058	1746	2546	AA1059
50	14	904	1154	AA1056	1154	1554	AA1057	1354	2004	AA1058	1754	2554	AA1059
65	17	929	1179	AA1062	1179	1579	AA1063	1379	2029	AA1064	1779	2579	AA1065
80	17	944	1194	AA1062	1194	1594	AA1063	1394	2044	AA1064	1794	2594	AA1065
100	19	977	1227	AA1068	1227	1627	AA1069	1427	2077	AA1070	1827	2627	AA1071
125	19	994	1244	AA1068	1244	1644	AA1069	1444	2094	AA1070	1844	2644	AA1071
150	19	1022	1272	AA1068	1272	1672	AA1069	1472	2122	AA1070	1872	2672	AA1071
200	24	1080	1330	AA1074	1330	1730	AA1075	1530	2180	AA1076	1930	2730	AA1077
250	27	1140	1390	AA1080	1390	1790	AA1081	1590	2240	AA1082	1990	2790	AA1083
300	27	1205	1455	AA1080	1455	1855	AA1081	1655	2305	AA1082	2055	2855	AA1083
350	27	1280	1530	AA1080	1530	1930	AA1081	1730	2380	AA1082	2130	2930	AA1083
400	27	1348	1598	AA1080	1598	1998	AA1081	1798	2448	AA1082	2198	2998	AA1083
450	27	1433	1683	AA1080	1683	2083	AA1081	1883	2533	AA1082	2283	3083	AA1083
500	32	1463	1713	-	1713	2113	AA1118	1913	2563	AA1119	2313	3113	AA1120
600	32	1563	1813	-	1813	2213	AA1118	2013	2663	AA1119	2413	3213	AA1120

# TELESCOPIC EXTENSION SPINDLE FOR SERVICE VALVE

## DN 20 - DN 50

Street box - height 270 mm

Rd - vertical distance from the pipeline base to the ground surface  
L - actual extended length of the telescopic enclosing

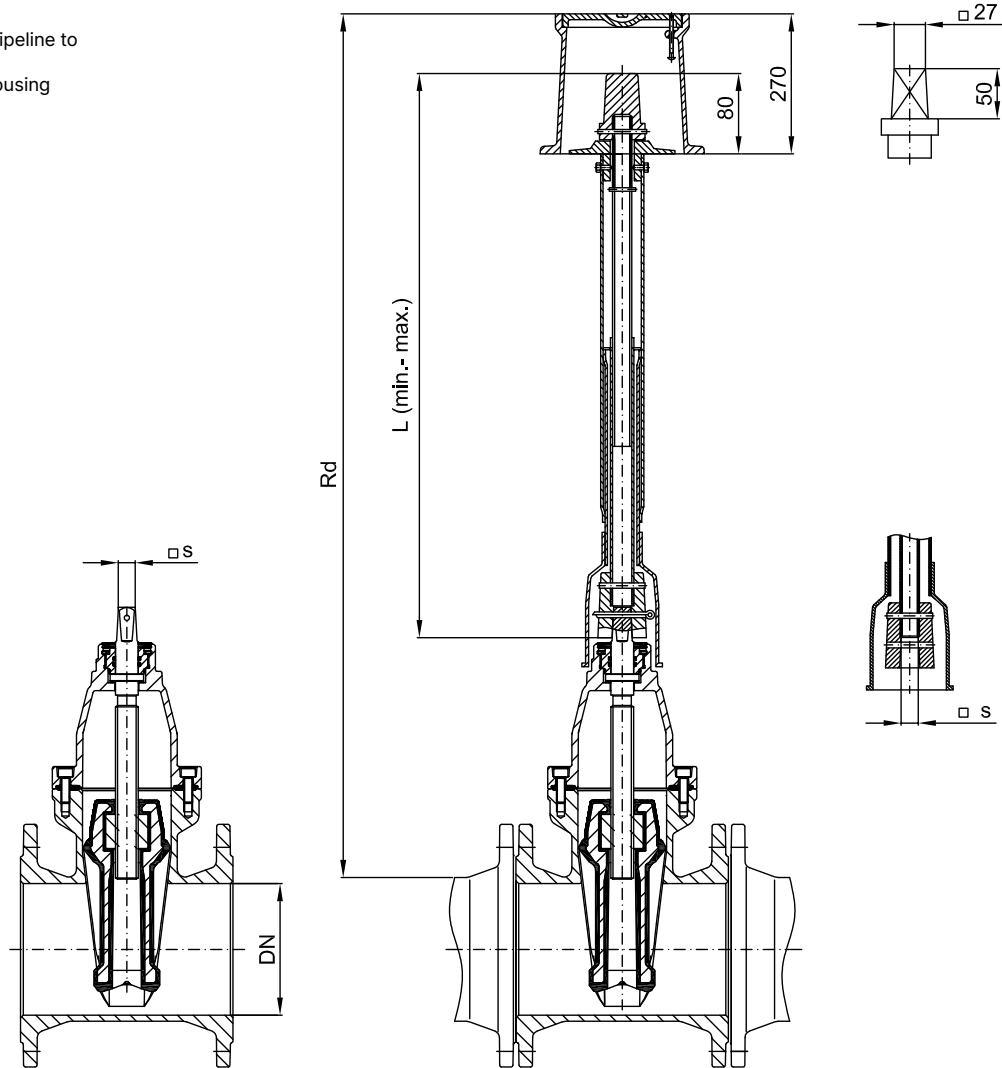


### Dimension:

Nominal diameter DN	Stem Top Square $\square S$ [mm]	L [mm] 550/800		Code	L [mm] 1000/1200		Code	L [mm] 1000/1650		Code	L [mm] 1400/2000		Code
		Rd [mm] min	Rd [mm] max		Rd [mm] min	Rd [mm] max		Rd [mm] min	Rd [mm] max		Rd [mm] min	Rd [mm] max	
20	14	870	1120	AA1056	1120	1520	AA1057	1320	1970	AA1058	1720	2520	AA1059
25	14	877	1127	AA1056	1127	1527	AA1057	1327	1977	AA1058	1727	2527	AA1059
32	14	875	1125	AA1056	1125	1525	AA1057	1325	1975	AA1058	1725	2525	AA1059
40	14	910	1160	AA1056	1160	1560	AA1057	1360	2010	AA1058	1760	2560	AA1059
50	14	915	1165	AA1056	1165	1565	AA1057	1365	2015	AA1058	1765	2565	AA1059

# Selecting a telescopic housing for the OptiValve™ valve

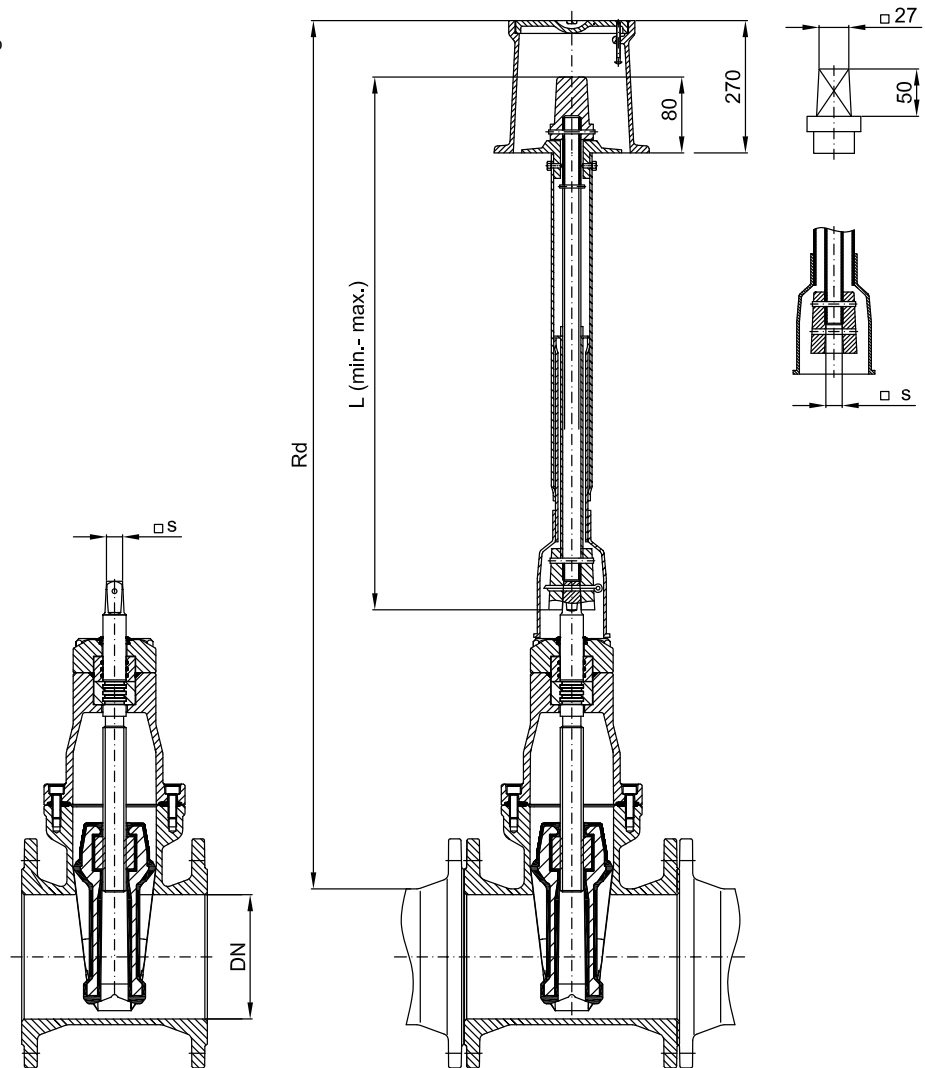
Rd - distance from the base of the pipeline to the ground level  
 L - actual length of the telescopic housing



DN	Stem Top Square □ S [mm]	L [mm] 550/800		Code	L [mm] 800/1200		Code	L [mm] 1000/1650		Code	L [mm] 1400/2200		Code
		Rd [mm] min	Rd [mm] max		Rd [mm] min	Rd [mm] max		Rd [mm] min	Rd [mm] max		Rd [mm] min	Rd [mm] max	
40	14	899	1149	AA1056	1149	1549	AA1057	1349	1999	AA1058	1749	2549	AA1059
50	14	938	1188	AA1056	1188	1588	AA1057	1388	2038	AA1058	1788	2588	AA1059
65	17	927	1177	AA1062	1177	1577	AA1063	1377	2027	AA1064	1777	2577	AA1065
80	17	935	1185	AA1062	1185	1585	AA1063	1385	2035	AA1064	1785	2585	AA1065
100	19	954	1204	AA1068	1204	1604	AA1069	1404	2054	AA1070	1804	2604	AA1071
125	19	1042	1292	AA1068	1292	1692	AA1069	1492	2142	AA1070	1892	2692	AA1071
150	19	1017	1267	AA1068	1267	1667	AA1069	1467	2117	AA1070	1867	2667	AA1071
200	24	1082	1332	AA1074	1332	1732	AA1075	1532	2182	AA1076	1932	2732	AA1077
250	27	1129	1379	AA1080	1379	1779	AA1081	1579	2229	AA1082	1979	2779	AA1083
300	27	1184	1434	AA1080	1434	1834	AA1081	1634	2284	AA1082	2034	2834	AA1083

# Selecting a telescopic housing for the OptiValve Plus™ valve

Rd - distance from the base of the pipeline to the ground level  
 L - actual length of the telescopic housing



DN	Stem Top Square □S [mm]	L [mm] 550/800		Code	L [mm] 800/1200		Code	L [mm] 1000/1650		Code	L [mm] 1400/2200		Code
		Rd [mm] min	Rd [mm] max		Rd [mm] min	Rd [mm] max		Rd [mm] min	Rd [mm] max		Rd [mm] min	Rd [mm] max	
50	17	1011	1261	AA1062	1261	1661	AA1063	1461	2111	AA1064	1861	2661	AA1065
50*	19	1011	1261	AA1068	1261	1661	AA1069	1461	2111	AA1070	1861	2661	AA1071
80	17	981	1231	AA1062	1231	1631	AA1063	1431	2081	AA1064	1831	2631	AA1065
80*	19	981	1231	AA1068	1231	1631	AA1069	1431	2081	AA1070	1831	2631	AA1071
100	19	1001	1251	AA1068	1251	1651	AA1069	1451	2101	AA1070	1851	2651	AA1071
125	19	1105	1355	AA1068	1355	1755	AA1069	1555	2205	AA1070	1955	2755	AA1071
150	19	1081	1331	AA1068	1331	1731	AA1069	1531	2181	AA1070	1931	2731	AA1071
200	24	1154	1404	AA1074	1404	1804	AA1075	1604	2254	AA1076	2004	2804	AA1077
250	27	1213	1462	AA1080	1463	1863	AA1081	1663	2313	AA1082	2063	2863	AA1083
300	27	1269	1519	AA1080	1519	1919	AA1081	1719	2369	AA1082	2119	2919	AA1083
400	32	1460	1710	-	1710	2110	AA1118	1910	2560	AA1119	2310	3110	AA1120

\*1 BS standard