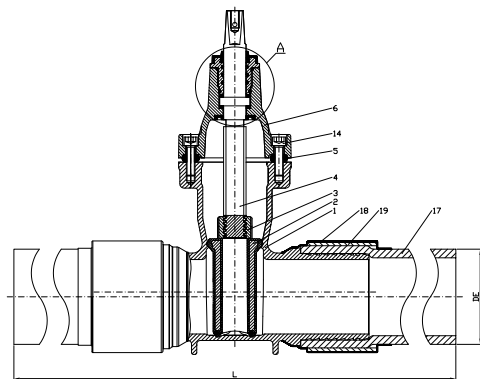
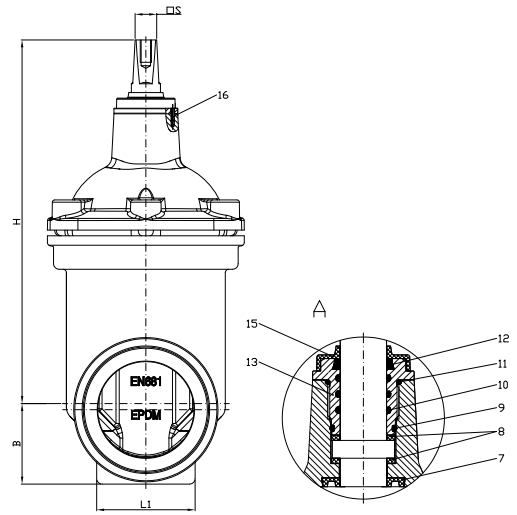


RESILIENT SEATED GATE VALVE ECOVALVE™ WITH PE FITTINGS

DN 50 - DN 100

No	Part Name	Material
1	Body	Ductile Iron EN-GJS-500-7
2	Wedge	D.I., EPDM encapsulated EN-GJS-400-18/ EN-GJS-500-7
3	Wedge Nut	Aluminum Bronze CuAl10Ni5Fe4 / H.T. dezincification resistant Brass
4	Stem	Stainless Steel X20Cr13 / 1.4021 / 420
5	Bonnet Gasket	Elastomer EPDM
6	Bonnet	Elastomer EPDM
7	Main seal	Elastomer EPDM
8	Bottom Washer	Plastic PTFE
9	O-ring Seal	Elastomer EPDM
10	O-ring Seal	Elastomer EPDM
11	O-ring Seal	Elastomer EPDM
12	Dust Seal	Elastomer EPDM
13	Gland Bush	Brass
14	Bonnet Screws	Stainless Steel A2-70
15	Dust Seal	Elastomer EPDM
16	Security screw	Stainless Steel A2-70
17	PE Pipe*	Polyethylene, high density PE 100 SDR 11
18	Shrink Hose	Thermo-shrink Plastic
19	Sleeve	Carbon Steel



Customization to SDR 17 and SDR 17.6 standards is available upon request."

Dimension:

DN	50	80	100
DE	63	90	110
PN16	AD1169	AD1170	AD1171
L	920±5	920±5	920±5
H	218,5	277	325
L1	70	70	88
B	44	62	72
Stem Top Square □S	14	17	19
Weight [kg]	9	14	18