

SURFACE BOX FOR VALVE

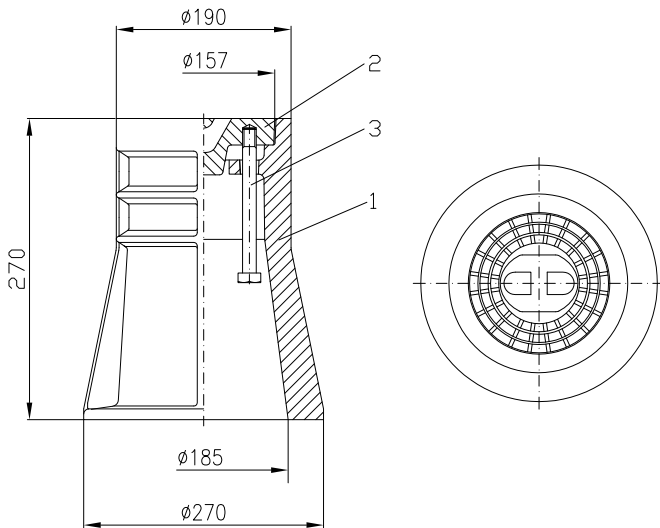
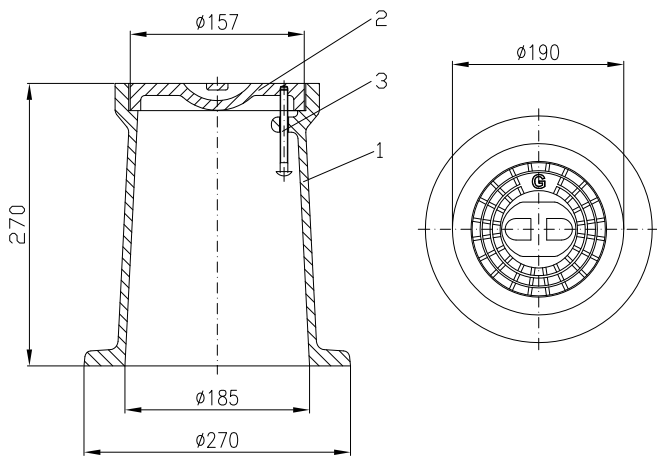
DN 40 - DN 300

No	Part Name	Material
1	Body	Grey Cast Iron EN-GJL-250 Plastic PEHD
2	Bonnet	Grey Cast Iron EN-GJL-250
3	Bolt	Steel FeZn5 gr 5.8



Ductile Iron

PEHD



	Cast Iron Surface Box	PEHD Surface Box
Code	AA0501	AA0551
Weight [kg]	13	4