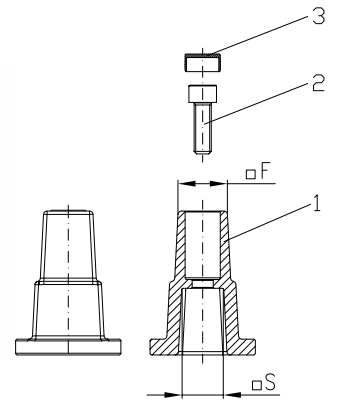


# CAP TOP

No	Part Name	Material
1	Cap Top	Ductile Iron EN-GJS-500-7
2	Locking Nut	Stainless Steel A2-70
3	Plug	Plastic



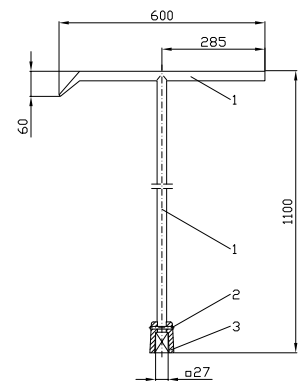
## Dimension:

Valve DN	20-50	65-80	100	125	150	200	250	300
Code	AA2400	AA2401	AA2402	AA2402	AA2402	AA2403	AA2404	AA2404
Square bolt/key $\square S / \square F$	14/27	17/27	19/27	19/27	19/27	24/27	27/27	27/27
Weight [kg]	0,3	0,3	0,3	0,3	0,3	0,6	0,5	0,5

# KEY T FOR VALVE

No	Part Name	Material
1	Rot	Steel FeZn5
2	Pin	Steel FeZn5
3	Base	Ductile Iron EN-GJS-500-7

Code	AA0000
Stem Top Square $\square S$	27
Weight [kg]	8,5



# SUPPORT TILE

## Material:

**Coating protection:**  
PEHD

Code	AA0561
Weight [kg]	0,9

