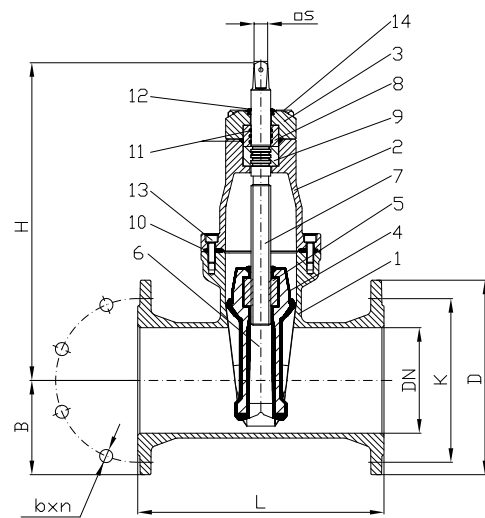


OPTIVALVE PLUS™ GAS VALVE FLANGED END F5

DN 80 - DN 300



No	Part Name	Material
1	Body	Ductile Iron EN-GJS-500-7
2	Bonnet	Ductile Iron EN-GJS-500-7
3	Gland Housing	Ductile Iron EN-GJS-500-7
4	Wedge	D.I., NBR encapsulated EN-GJS-400-18/ EN-GJS-500-7
5	Wedge Nut	Aluminum Bronze
6	Guide Shoe	Plastic POM
7	Stem	Stainless Steel X20Cr13 / 1.4021 / 420
8	Gland Blush	Aluminum Bronze
9	Support Bush	Aluminum Bronze
10	Bonnet Gasket	Elastomer NBR
11	O-ring Seal	Elastomer NBR
12	Dust Seal	Elastomer NBR
13	Bonnet Screws	Stainless Steel A2-70
14	Housing Bolts	Stainless Steel A2-70



Dimension:

DN	80	100	125	150	200	250	300	400
EPOXY POWDER COATING								
PN16	BG0849	BG1049	BG1279	BG1549	BG2049	BG2549	BG3049	N.Z.
PN10					BG2050	BG2550	BG3050	N.Z.
EPOXY POWDER COATED WITH A POLYURETHANE (PUR) OVERSPRAY, BLACK								
PN16	BG0863	BG1063	BG1263	BG1563	BG2063	BG2563	BG3063	N.Z.
PN10					BG2056	BG2556	BG3056	N.Z.
L	280	300	325	350	400	450	500	600
H	315	349	465	454	556	646	727	1010
B	95	102	120	134	165	196	225	300
K PN16 / PN10	160	180	210	240	295	355 / 350	410 / 400	525 / 515
b x n PN16 / PN10	19x8	19x8	19x8	23x8	23x12 / 23x8	27x12 / 23x12	27x12 / 23x12	525 / 515
D	200	220	250	285	340	405	460	580
Stem Top Square □S	17	19	19	19	24	27	27	29
Turns to open/close	7 ½	9 ¼	13 ¾	13 ¾	18	21 ¾	26 ⅓	34 ½
Closing Torque [Nm]	70±10	80±10	100±20	100±20	130±20	180±20	200±20	250±20
Weight [kg]	21,5	24,8	44	46,2	74	98,3	150	279

Notes:

- All sizes can be fitted with either PN10 or PN16 flanges.
- Closes in a clockwise direction.
- N.Z. - Available upon request