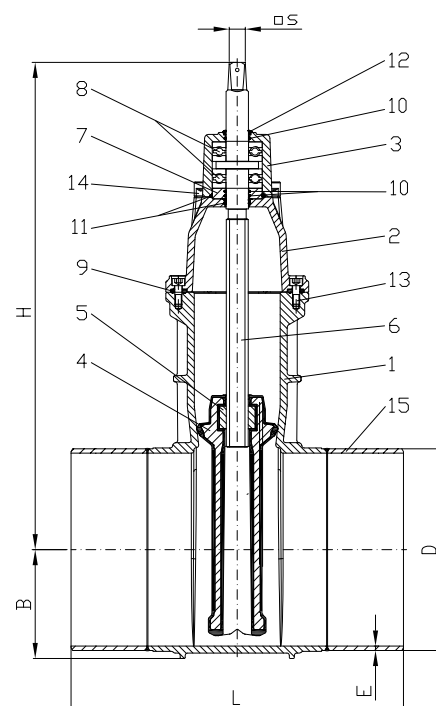


# RESILIENT SEATED GATE VALVE OPTIVALVEPLUS™ WITH WELDED ENDS

DN 500-DN 600



No	Part Name	Material
1	Body	Cast Steel GP240GH / GS-C25N
2	Bonnet	Cast Steel GP240GH / GS-C25N
3	Gland Housing	Cast Steel GP240GH / GS-C25N
4	Wedge	D.I., NBR encapsulated EN-GJS-400-18/ EN-GJS-500-7
5	Wedge Nut	Aluminium Bronze
6	Guide Shoe	Plastic POM
7	Stem	Stainless Steel X20Cr13 / 1.4021 / 420
8	Gland Bush	Aluminium Bronze
9	Support Bush	Aluminium Bronze
10	Bonnet Gasket	Elastomer NBR
11	O-ring Seal	Elastomer NBR
12	Dust Seal	Elastomer NBR
13	Bonnet Screws	Stainless Steel A2-70
14	Washer	Stainless Steel A2-70
15	Nut	Stainless Steel A2-70
16	Housing Bolts	Stainless Steel A2-70
17	Cap-Top	Ductile Iron EN-GJS-500-7



## Dimension:

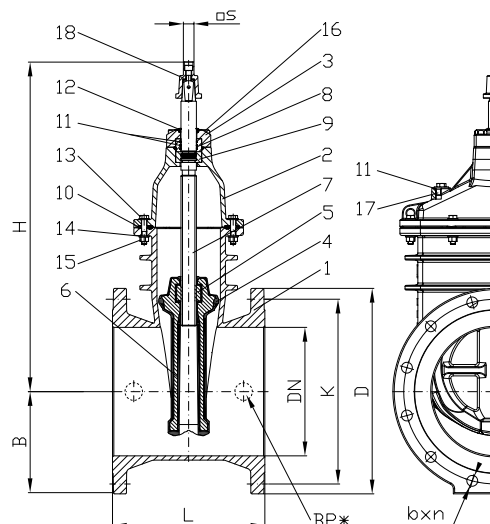
DN	80	100	150	200	250	300	400
PN16	O.R.	O.R.	O.R.	O.R.	BG2588	BG3088	BG4088
L	203	229	267	292	330	356	406
H1	315	349	454	556	646	727	975
H	355	389	494	598	690	771	285
B	95	102	134	165	196	225	525 / 539,7
K EN 1092-2 / ANSI B16.5	160 / 152,4	180 / 190,5	240 / 241,3	295 / 298,4	355 / 362	410 / 431,8	595 / 539,7
b x n EN 1092-2 / ANSI B16.5	19x8	19x8	23x12 / 22,3x8	23x12 / 22,3x8	28x12 / 25,4x12	28x12 / 25,4x12	31x16 / 28,6x16
D EN 1092-2 / ANSI B16.5	200 / 190,5	220 / 228,6	285 / 279,4	340 / 342,9	405 / 406,4	460 / 482,6	595
BP	G3/4 (Rd 3/4-14)	G3/4 (Rd 3/4-14)	G3/4 (Rd 3/4-14)	G3/4 (Rd 3/4-14)	G3/4 (Rd 3/4-14)	G3/4 (Rd 3/4-14)	G3/4 (Rd 3/4-14)
Turns to open/close	7 1/2	9 1/4	13 3/4	18	21 3/4	26 1/3	34 1/2
Stem Top Square □ S	19	19	19	24	27	27	32
Closing Torque [Nm]	70±10	80±10	100±20	130±20	180±20	200±20	250±20
Weight [kg]	BS (British Standard)	21	24,2	45,3	71,3	93,5	142
	ANSI (US Standard)	21,4	27,3	48,5	79,1	107	168,9
							295,7

O.R. - On request

# GAS VALVE OPTIVALVE PLUS™ STEEL FLANGED END

DN 80 - DN 400

No	Part Name	Material
1	Body	Cast Steel GP240GH / GS-C25N
2	Bonnet	Cast Steel GP240GH / GS-C25N
3	Gland Housing	Cast Steel GP240GH / GS-C25N
4	Wedge	D.I., NBR encapsulated EN-GJS-400-18/ EN-GJS-500-7
5	Wedge Nut	Aluminum Bronze
6	Stem	Stainless Steel X20Cr13 / 1.4021 / 420
7	Gland Blush	Dezincification-resistant brass
8	Rolling bearings	Component
9	Bonnet Gasket	Elastomer NBR
10	O-ring Seal	Elastomer NBR
11	Seal	Elastomer NBR
12	Dust Seal	Elastomer NBR
13	Bonnet Screws	Stainless Steel A2-70
14	Housing Bolts	Stainless Steel A2-70
15	Washer	Stainless Steel A2-70
16	Nut	Stainless Steel A2-70
17	Vent Plug	Stainless Steel X20Cr13 / 1.4021 / 420



- Option to adapt the slide valve for a by-pass outlet.  
If necessary, it is possible to drill a hole for the connection (BP).

## Dimension:

DN	80	100	150	200	250	300	400
PN16	O.R.	O.R.	O.R.	O.R.	BG2588	BG3088	BG4088
L	203	229	267	292	330	356	406
H1	315	349	454	556	646	727	975
H	355	389	494	598	690	771	285
B	95	102	134	165	196	225	525 / 539,7
K EN 1092-2 / ANSI B16.5	160 / 152,4	180 / 190,5	240 / 241,3	295 / 298,4	355 / 362	410 / 431,8	595 / 539,7
b x n EN 1092-2 / ANSI B16.5	19x8	19x8	23x12 / 22,3x8	23x12 / 22,3x8	28x12 / 25,4x12	28x12 / 25,4x12	31x16 / 28,6x16
D EN 1092-2 / ANSI B16.5	200 / 190,5	220 / 228,6	285 / 279,4	340 / 342,9	405 / 406,4	460 / 482,6	595
BP	G3/4 (Rd 3/4-14)	G3/4 (Rd 3/4-14)	G3/4 (Rd 3/4-14)	G3/4 (Rd 3/4-14)	G3/4 (Rd 3/4-14)	G3/4 (Rd 3/4-14)	G3/4 (Rd 3/4-14)
Turns to open/close	7 1/2	9 1/4	13 3/4	18	21 3/4	26 1/3	34 1/2
Stem Top Square □ S	19	19	19	24	27	27	32
Closing Torque [Nm]	70±10	80±10	100±20	130±20	180±20	200±20	250±20
Weight [kg]	BS (British Standard)	21	24,2	45,3	71,3	93,5	142
	ANSI (US Standard)	21,4	27,3	48,5	79,1	107	168,9
							295,7

O.R. - Available on request.