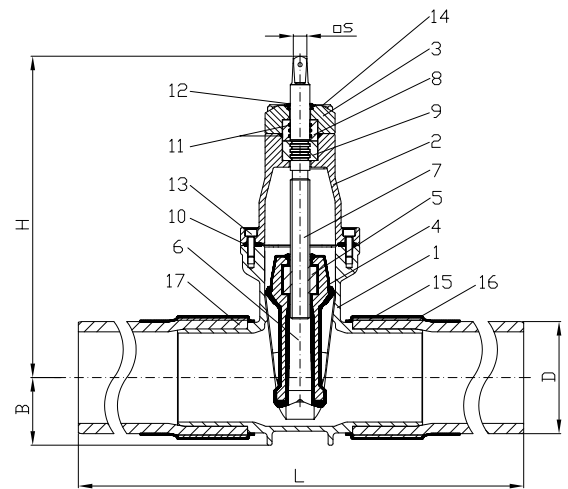


OPTIVALVE PLUS™ GAS VALVE WITH PE FITTINGS

DN 50 - DN 300



No	Part Name	Material
1	Body	Steel GS-C25N
2	Bonnet	Ductile Iron EN-GJS-500-7
3	Wedge	D.I., NBR encapsulated EN-GJS-400-18/ EN-GJS-500-7
4	Wedge Nut	Aluminum Bronze
5	Guide Shoe	Plastic POM
6	Stem	Stainless Steel X20Cr13 / 1.4021 / 420
7	Gland Bush	Brass
8	Bonnet Gasket	Elastomer NBR
9	O-ring Seal	Elastomer NBR
10	Dust Seal	Elastomer NBR
11	Bonnet Screws	Stainless Steel A2-70
12	Bottom Washer	Plastic POM
13	Acetal Circlip	Steel Ring
14	Housing Bolts	Stainless Steel A2-70
15	Pipe clamp	Steel
16	Heatshrink	Plastic
17	Pipe*	PE100 gas pipe, SDR 11



- Can be socketing to SDR 17 on demand

Dimension:

DN	50	80	100	100	150	150	200	200	250	250	300
D	63	90	110	125	160	180	200	225	250	280	315
EPOXY POWDER COATING											
PN10	BG0551	BG0851	BG1051	BG1052	BG1551	BG1552	BG2051	BG2052	BG2551	BG2552	BG3051
EPOXY POWDER COATING SYSTEM WITH A BLACK POLYURETHANE (PUR) TOPCOAT.											
PN10	BG0566	BG0866	BG1066	BG1067	BG1566	BG1557	BG2066	BG2067	BG2566	BG2567	BG3066
L*	920	920	920	920	950	950	1180	1180	1180	1200	1300
H	330	317	354	350	459	459	569	569	661	661	756
B	40	52	62	69	97	97	119	119	147	147	164
Stem Top Square □S	17	17	19	19	19	19	24	24	27	27	27
Turns to open/close	7 1/2	7 1/2	9 1/4	9 1/4	13 3/4	13 3/4	18	18	21 3/4	21 3/4	26 1/3
Closing Torque [Nm]	50±10	70±10	80±10	80±10	100±20	100±20	130±20	130±20	180±20	180±20	250±20
Weight [kg]	13,5	18,1	21,9	23,0	44,0	44,5	70,9	70,8	102,0	99,6	157,7

* Other lengths available upon request.