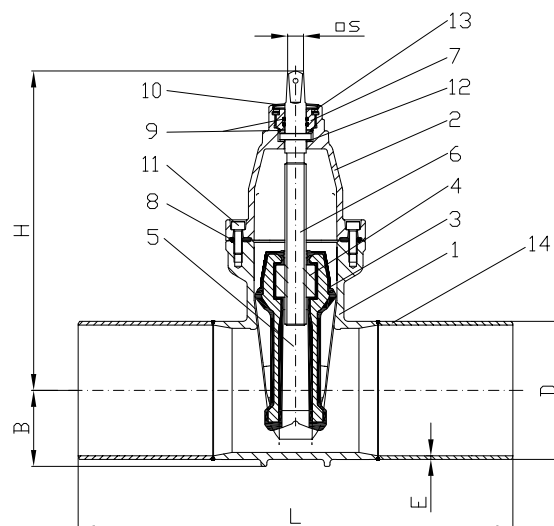


# OPTIVALVE™ GAS VALVE WITH STEEL FITTINGS

DN 50 - DN 300



No	Part Name	Material
1	Body	Steel GS-C25N
2	Bonnet	Ductile Iron EN-GJS-500-7
3	Wedge	D.I., NBR encapsulated EN-GJS-400-18/ EN-GJS-500-7
4	Wedge Nut	Brass
5	Guide Shoe	Plastic POM
6	Stem	Stainless Steel X20Cr13 / 1.4021 / 420
7	Gland Bush	Brass
8	Bonnet Gasket	Elastomer NBR
9	O-ring Seal	Elastomer NBR
10	Dust Seal	Elastomer NBR
11	Bonnet Screws	Stainless Steel A2-70
12	Bottom Washer	Plastic POM
13	Acetal Circlip	Steel Ring
14	Steel nipple	S265JR steel pipe



- For DN150 and above - eyebolts for easy transport and installation as standard.

## Dimension:

DN		50	80	100	150	200	250	300
EU	Epoxy	AG0555	AG0855	AG1055	AG1555	AG2055	AG2555	AG3055
	PUR	AG0564	AG0864	AG1064	AG1564	AG2049	AG2549	AG3049
EUE	Epoxy	AG0560	AG0860	AG1060	AG1560	AG2061	AG2561	AG3061
	PUR	AG0565	AG0865	AG1065	AG1565	AG2065	AG2565	AG3065
L*		570	550	520	530	570	590	620
H		255	270	300	390	490	562	642
B		37	50	63	90	120	145	170
D	EU	60,3	88,9	114,3	168,3	219,1	273	323,9
	RU	57	89	108	159	219	273	325
E	EU	2,9	3,2	3,6	4,5	6,3	6,3	7,1
	RU	3,0	4,0	4,0	5,0	6,0	7,0	8,0
Stem Top Square □S		14	17	19	19	24	27	27
Turns to open/close		7 1/2	7 1/2	9 1/4	13 3/4	18	21 3/4	26 1/3
Closing Torque [Nm]		50±10	70±10	80±10	100±20	130±20	180±20	200±20
Weight [kg]		11,5	14,0	18,5	34,0	64,8	88,6	131,5

U - European market version  
RU - Russian market version

\* Other lengths available on request