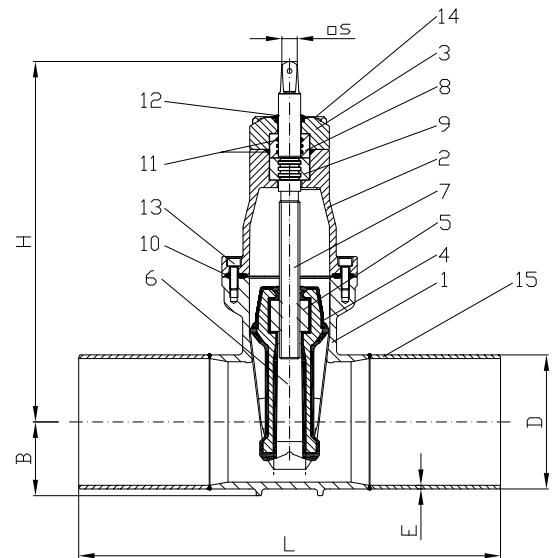


# OPTIVALVE PLUS™ GAS VALVE WITH STEEL END FITTINGS

DN 50 - DN 300



No	Part Name	Material
1	Body	Ductile Iron EN-GJS-500-7
2	Bonnet	Ductile Iron EN-GJS-500-7
3	Gland Housing	Ductile Iron EN-GJS-500-7
4	Wedge	D.I., NBR encapsulated EN-GJS-400-18/ EN-GJS-500-7
5	Wedge Nut	Aluminum Bronze
6	Guide Shoe	Synthetic material
7	Stem	Stainless Steel X20Cr13 / 1.4021 / 420
8	Gland Bush	Aluminum Bronze
9	Support Bush	Aluminum Bronze
10	Bonnet Gasket	Elastomer NBR
11	O-ring Seal	Elastomer NBR
12	Dust Seal	Elastomer NBR
13	Bonnet Screws	Stainless Steel A2-70
14	Housing Bolts	Stainless Steel A2-70
15	Steel nipple	S265JR steel pipe



- For DN150 and above - eyebolts for easy transport and installation as standard.

## Dimension:

DN		50	80	100	150	200	250	300
EU	Epoxy	BG0555	BG0855	BG1055	BG1555	BG2055	BG2555	BG3055
	PUR	BG0560	BG0860	BG1060	BG1560	BG2060	BG2560	BG3060
EUE	Epoxy	BG0561	BG0861	BG1061	BG1561	BG2061	BG2561	BG3061
	PUR	BG0562	BG0862	BG1062	BG1562	BG2062	BG2562	BG3062
L*		570	550	520	530	570	590	620
H		329	315	349	495	558	648	728
B		37	50	63	90	120	145	170
D	EU	60,3	88,9	114,3	168,3	219,1	273	323,9
	RU	57	89	108	159	219	273	325
E	EU	2,9	3,2	3,6	4,5	6,3	6,3	7,1
	RU	3,0	4,0	4,0	5,0	6,0	7,0	8,0
Stem Top Square □S		17	17	19	19	24	27	27
Turns to open/close		7 1/2	7 1/2	9 1/4	13 3/4	18	21 3/4	26 1/3
Closing force [Nm]		50±10	70±10	80±10	100±20	130±20	180±20	200±20
Weight [kg]		15,6	17,1	23,3	39,5	68,5	90,9	138,8

U - European market version  
RU - Russian market version

\* Other lengths available on request