

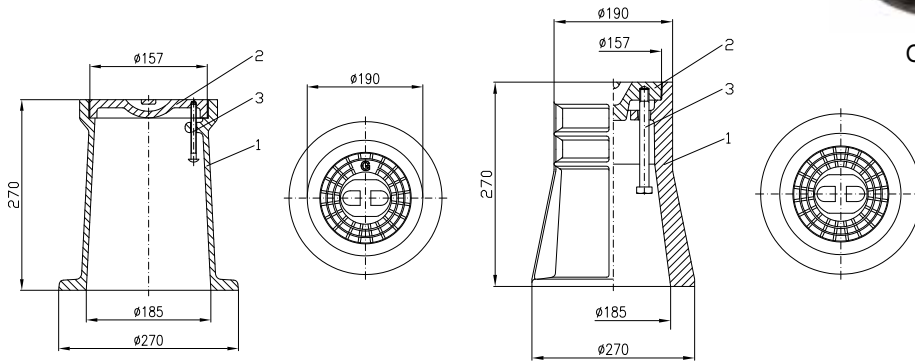
SURFACE BOX FOR VALVE

No	Part Name	Material
1	Body	Grey Cast Iron EN-GJL-250 HDPE plastic
2	Bonnet	Grey Cast Iron EN-GJL-250
3	Bolt	Steel FeZn5 gr 5.8



Cast Iron

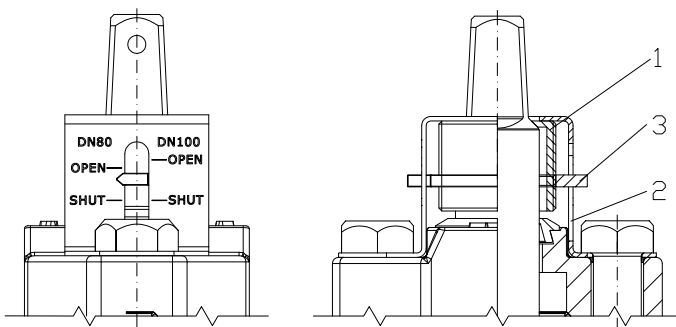
PEHD



	Cast Iron Surface Box	PEHD Surface Box
Code	AA0502	AA0552
Weight [kg]	13	4

POSITION INDICATOR

No	Part Name	Material
1	Indicatar Sleeve	Plastic
2	Indicator Bracket	Stainless Steel X20Cr13 / 1.4021 / 420
3	Indicator Pointer	Plastic



Dimension:

Valve DN	50	80	100	150	200	250	300
Code	AP0090	AP0090	AP0090	AP0091	AP0092	AP0093	AP0093
Weight [kg]	0,07	0,07	0,07	0,09	0,15	0,18	0,18