

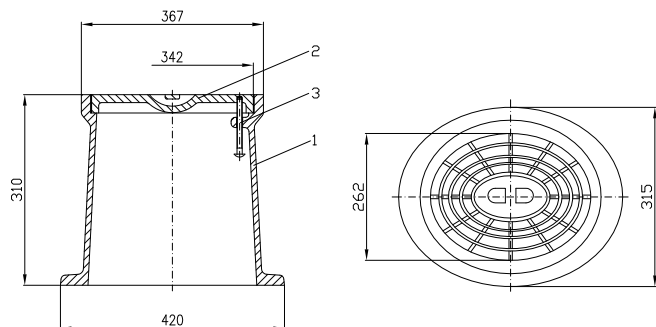
SURFACE BOX FOR FIRE HYDRANT

No	Part Name	Material
1	Body	Grey Cast Iron EN-GJL-250 Plastic PEHD
2	Bonnet	Grey Cast Iron EN-GJL-250
3	Bolt	Steel FeZn5 gr 5.8



Cast Iron

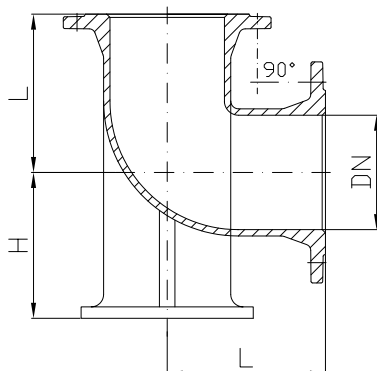
PEHD



	Cast Iron Surface Box	PEHD Surface Box
Product code	AA0500	AA0550
Weight [kg]	32,1	12

DOUBLE FLANGE BENDS TYPE N

DN 80 - DN 100



Dimension:

DN	Code		L [mm]	H [mm]	Weight [kg]
	PN10	PN16			
80	AF0302	-	165	110	13
100	AF0303	-	180	125	17